

**Key:** Prison Paracentric  
**Door:** Swinging  
**Security Level:** Maximum

# 10 DEADLOCK

## Description

Series 10 Deadlocks are lever tumbler, mechanical locks for swinging doors. Specify keying as follows:

- 12 Five tumbler model, keyed cover side
- 12-6 Six tumbler model, keyed cover side
- 16 Five tumbler model, keyed both sides
- 16-6 Six tumbler model, keyed both sides



Right hand shown.

## Applications

Series 10 Deadlocks are designed for use on small swinging doors such as access panels, plumbing spaces, electric panels or hatches which are infrequently used. They are not intended for use on cell doors. Specify handing when ordering.

## Standard Features

- **Mechanical operation** – Locks and unlocks by key. For key removal in locked position only, specify a single wing escutcheon on lock mounting or access door.
- **Durable case** – Ductile iron case, 1/4" thick steel cover.
- **Corrosion resistance** – Working parts are corrosion resistant.
- **Heavy-duty lever tumblers** – Spring-temper brass tumblers, activated by heavy phosphor bronze springs. Precision fit to locking fence.

- **Large, solid deadbolt** – Zinc plated steel, 1-1/2" x 3/4".
- **Bolt throw** – 5/8".
- **Bolt projection** – 1/2" or 1-1/4" standard.
- **Investment-cast key cylinder** – One-piece bronze alloy with paracentric keyway.
- **Finish** – Zinc plated.

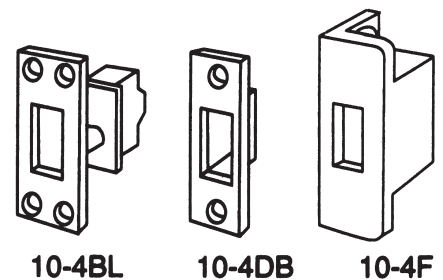
## Optional Features

- **High security** – Six tumbler model offers greater pick resistance.
- **Mounting** – Hollow metal or plate mounting.

## Accessories

(must be specified separately)

- **10-4B** – Mortise Keeper and mounting screws.
- **10-4BL** – Mortise Keeper Switch with mounting screws.
- **10-4DB** – Mortise Keeper with dustbox and mounting screws.
- **10-4F** – Surface Keeper and mounting screws.



For more information, please call 210.533.1231.

**Key:** Prison Paracentric  
**Door:** Swinging  
**Security Level:** Maximum

# 10 DEADLOCK

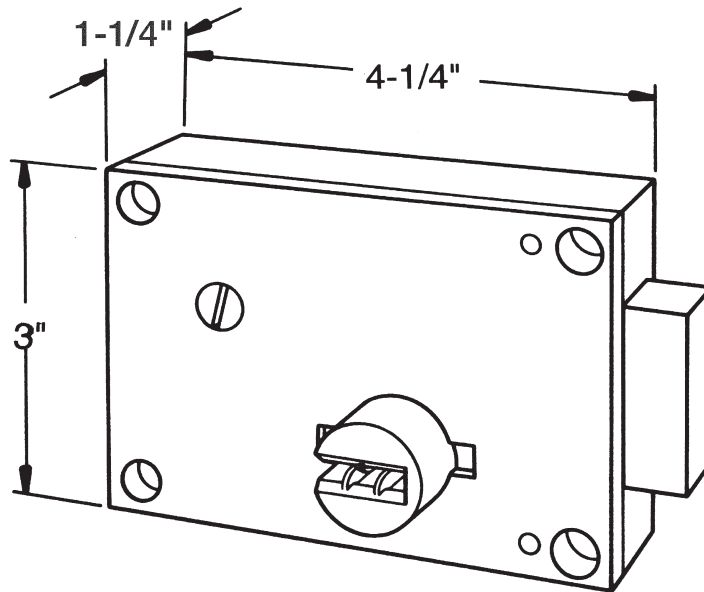
## How to Order

Specify:

- 1) Quantity
- 2) Handing
- 3) Bolt projection.
- 4) Mounting required.
- 5) Key code instructions.
- 6) Optional features/accessories required.

## Dimensional Data

Note: Dimensions are for information and planning purposes only, and should not be used as templates.



**Specify circled swing number when ordering.**

MOUNTING PLATE HINGE SIDE

KEYED BOTH SIDES	1 RH		LH	2
KEYED HINGE SIDE	5 RH		LH	6
KEYED STOP SIDE	9 LH		RH	10

MOUNTING PLATE STOP SIDE

KEYED BOTH SIDES	3 LH		RH	4
KEYED STOP SIDE	7 LH		RH	8
KEYED HINGE SIDE	11 RH		LH	12

1-1/4" projection required with stop-side mounting.

## LEGEND

