

7017 & 7017M

Latch for Food Pass and Observation Shutters

7017 latch is retracted by a prison paracentric key

7017M latch is retracted by a prison Mogul key



7017 Lever Tumbler



7017M Mogul Cylinder

*Investment cast prison paracentric key
(must be ordered separately)*



*Investment cast RRBS Mogul cylinder
key (must be ordered separately)*



R.R. BRINK LOCKING SYSTEMS, INC.

500 Earl Road • Shorewood, IL 60404
Tel: 815-744-7000 • Fax: 815-744-7020
www.rrbrink.com

Application

The 7017 latch is ordinarily specified for use in any type of food pass, observation panel, wicket door, or other small swing door openings.

The lock's steel case and cover are zinc plated to provide resistance to corrosion. The 7017 has six lever tumblers with heavy springs for pick resistance.

The 7017M latch utilizes the same lock case as the 7017, but is fitted with a mogul key cylinder.

Note: Do not use the 7017 or 7017M as the primary lock for full size doors or when dead latching is a requirement.

7017 & 7017M

Latch for Food Pass and Observation Shutters

Standard Features – 7017

- Investment cast steel lock case, zinc plated
- Investment cast, bronze alloy, paracentric key cylinder.
- Stainless steel latch
- Six hard brass lever-tumblers
- Heavy bronze tumbler springs
- Random-depth key cuts impede “picking”
- Lever tumblers are provided with “anti-pick” notches for both locked and unlocked condition
- Latch retracted projection: 1/4”
- Latch throw: 1/2”
- Latch size: 1-1/2” x 3/4”
- Four mounting screws included

Accessories (must be ordered separately)

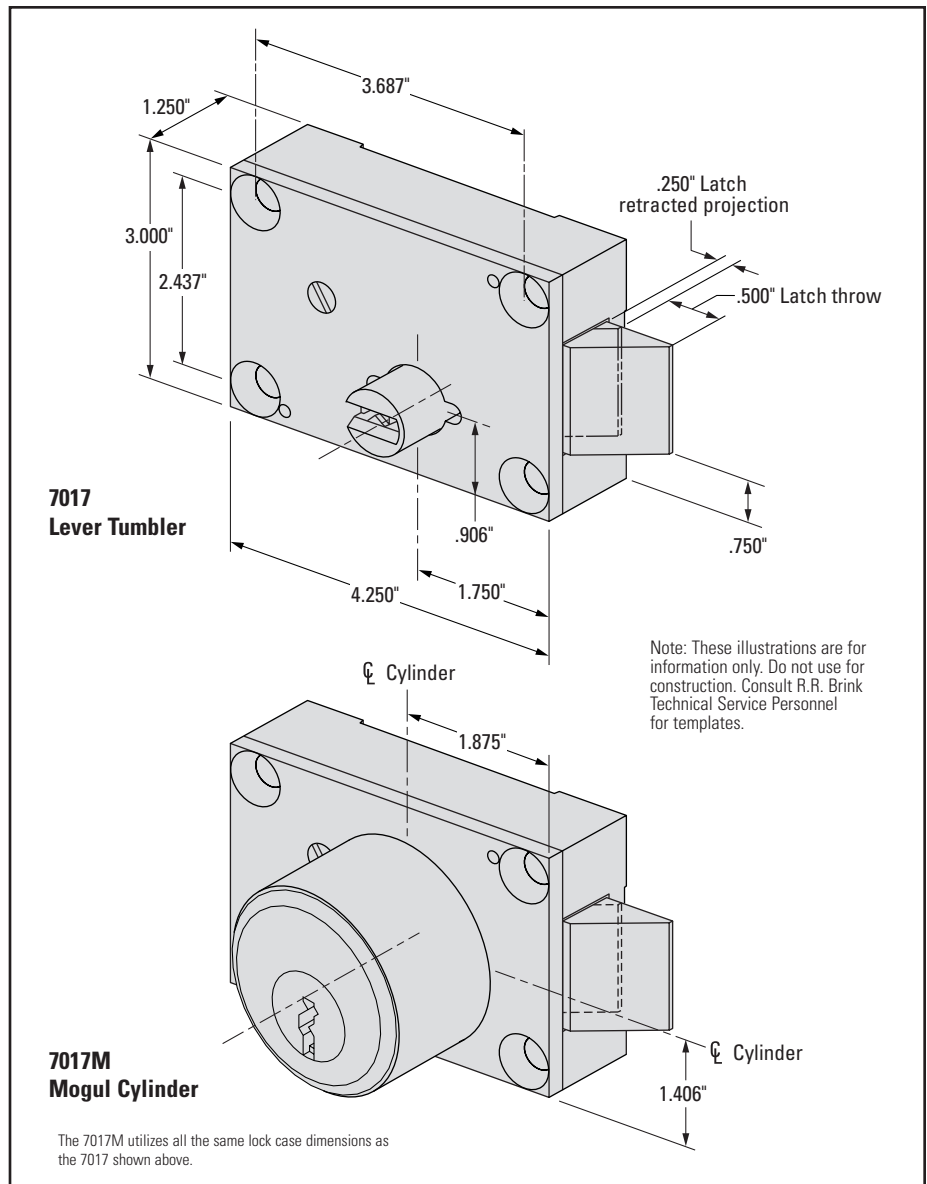
- **Prison paracentric key** – Investment cast bronze alloy – specify quantity of keys required

Standard Features – 7017M

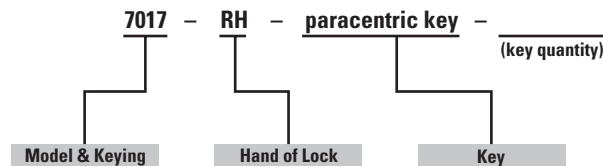
- Investment cast steel lock case, zinc plated
- Stainless steel latch
- Latch retracted projection: 1/4”
- Latch throw: 1/2”
- Latch size: 1-1/2” x 3/4”
- Four mounting screws included

Accessories (must be ordered separately)

- **Prison Mogul key** – Investment cast bronze alloy – specify quantity of keys required



Ordering Information



Model & Keying
7017 keyed one side
7017M keyed one side

Hand of Lock
RH is the standard for all food pass applications.

Key
Prison paracentric key – investment cast bronze alloy. (specify quantity of keys required)

Mogul cylinder key – (specify quantity of keys required)



R.R. BRINK LOCKING SYSTEMS, INC.

500 Earl Road • Shorewood, IL 60404
Tel: 815-744-7000 • Fax: 815-744-7020
www.rrbrink.com