

7010

Lever-Tumbler Mechanical Deadbolt Lock for Utility Closet Access Doors and Panels



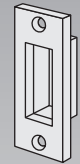
*Investment cast prison paracentric key
(must be ordered separately)*



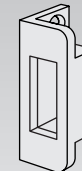
Bolt Keepers (must be ordered separately)



**Mortise
7010K**



**Mortise With
Dust Box
7010KD**



**Surface Applied
7010SA**



R.R. BRINK LOCKING SYSTEMS, INC.
500 Earl Road • Shorewood, IL 60404
Tel: 815-744-7000 • Fax: 815-744-7020
www.rrbrink.com

Application

The 7010 is the industry standard lever tumbler deadbolt widely used in correctional facilities for maximum security locking of utility access panels.

The 7010 is recommended for key controlled locking of electrical and plumbing access panels, roof hatches, and miscellaneous small openings within the secure perimeter of a jail or prison.

The 7010 is not recommended for use on full size doors. Both locking and unlocking is accomplished with a proprietary RRBLs paracentric type key. The key cannot be removed from the lock unless the bolt is fully extended and deadlocked. This safety feature alerts the user to an obstruction in the bolt keeper or receiver which would jeopardize security.

7010

Paracentric Key Mechanical Deadbolt for Utility Closet Access Doors and Panels

Standard Features

- Industry standard template
- Investment cast steel lock case, zinc plated
- Stainless steel deadbolt
- One piece bronze paracentric cylinder
- Bolt retracted projection 1/2"
- Bolt throw: 5/8"
- Bolt size: 1-1/2" x 3/4"
- Four mounting screws included

Accessories (must be ordered separately)

- **Prison key** – Investment cast bronze alloy – specify quantity of keys required
- **Bolt keepers**
 - 7010K standard mortise
 - 7010KD mortise with dust box
 - 7010SA surface applied

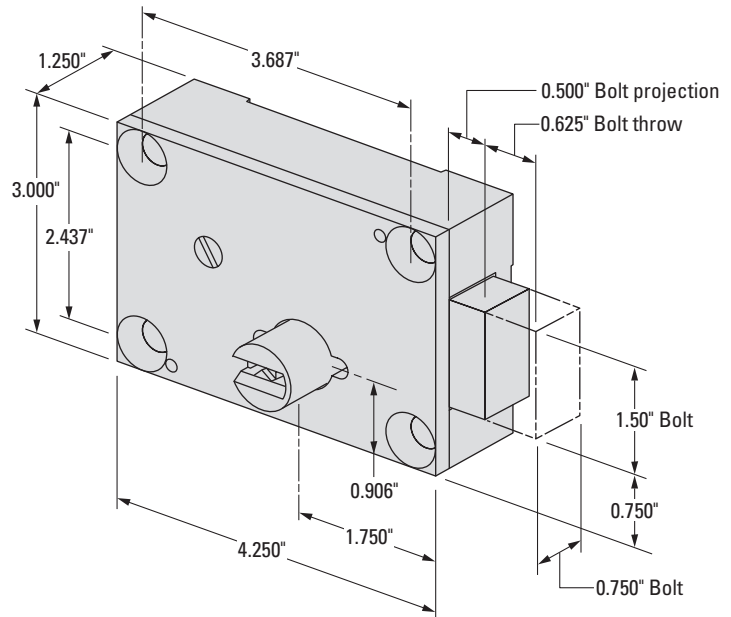
Lock Mountings (must be ordered separately)

The access panel manufacturer usually provides a mounting plate for the 7010 lock. Otherwise RRBL's factory mountings are available for hollow metal and plate doors. They are constructed of 7-gauge steel and electroplated for corrosion resistance.

Mounting is removable for cleaning and repair of lock. Escutcheons must be purchased separately. All mounting screws are included. Consult factory directly for template of lock mountings.

- **Hollow Metal Mounting** (specify HM Mounting) – for use on hollow metal doors.
- **Plate Mounting** (specify P Mounting) – for use on steel plate doors. Allows lock to be rim mounted.

7010

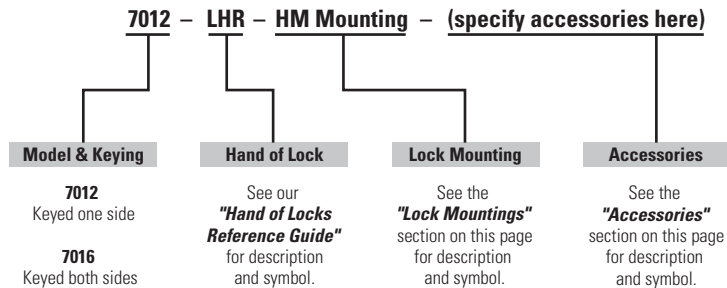


Note: This illustration is for information only. Do not use for construction. Consult R.R. Brink Customer Service Personnel for templates.

Ordering Information

Model	Description
7012	Keyed one side
7016	Keyed both sides

Ordering Example



Security Warning

With lever-tumbler locks keyed on two sides (i.e. 7016), it is important that the end user always remove the key from a locked door. If the key is left in the lock, for instance on the non-secure side to facilitate frequent unlocking, the bolt can be retracted from the opposite by turning the cylinder with a common tool. (e.g. screwdriver). This poses an unacceptable and potentially dangerous security risk!



R.R. BRINK LOCKING SYSTEMS, INC.

500 Earl Road • Shorewood, IL 60404
Tel: 815-744-7000 • Fax: 815-744-7020
www.rrbrink.com