

HINGES

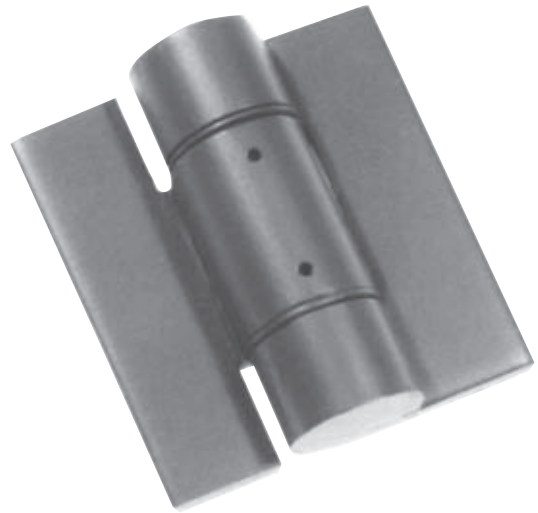
203FS: FULL SURFACE
203FP: FOOD PASS

APPLICATION:

For use on food passes, observation shutters and other small swinging doors where a medium duty hinge is required. Available with solid leaves for welded application or pre-drilled for fasteners. The 203FP is a version of the 203FS with a built-in stop to hold the food pass door in a horizontal position for use as a shelf.

TECHNICAL DATA:

- HINGE LEAVES: Steel
- HINGE PIN: Cold-rolled steel
- SIZE: 3" H x 2-3/4" W x 1/4" TK
- WEIGHT: .9 lb.
- PIN SIZE: 1/2" diameter
- 203FS: No holes standard
- 203FP: Drilled and countersunk for screws standard

203FS FULL SURFACE HINGE**203FP FOOD PASS HINGE**