

**Key:** Mogul  
**Door:** Roll-up  
**Security Level:** Medium/Maximum

# 120RUP DEADLATCH

## Description

Series 120RUP Deadlatches are pin tumbler, solenoid-operated locks for roll-up doors. Specify keying as follows:

- 121 Keyed case side
- 122 Keyed cover side
- 126 Keyed both sides

## Applications

Series 120RUP Deadlatches are designed to provide security for garage and service bay roll-up doors. In the case of roll-up shutters or unusual closures, the units may be keyed two sides, with key holdback one side only. 120RUP Models are fully compatible with electrically operated and monitored systems and provide safe, remote locking and unlocking.

## Operation

This device unlocks when the solenoid is energized by a momentary contact switch. Once unlocked, the latchbolt is held mechanically retracted and a switch energizes the "open" circuit of the roll-up door. When the door is opened, the latchbolt extends automatically. 120RUP locks may be mechanically unlocked by key, with latchbolt remaining retracted until relocked by key.

## Testing

120RUP Deadlatches and Maxi-Mogul® key cylinders have been tested to 1,000,000 operations.

## Standards Compliance

120RUP locks are UL Listed as Burglary-Resistant Mechanisms. Maxi-Mogul® key cylinders meet UL437 requirements.



## Standard Features

- **Solenoid voltage** – 120 VAC.
- **Superior durability** – Working parts of stainless steel afford greater strength and corrosion-resistance.
- **Standard lock size** – All models use the same size case, cover and mounting holes for simplified installation and frame preparation.
- **External mounting holes** – Easy installation and eliminate the need for case and cover removal.
- **1" throw latchbolt** – Offers greater security. Each bolt is hardened to resist sawing.

- **Mechanical unlocking by key** – Specify Folger Adam Mogul cylinders or Maxi-Mogul® high security cylinders.
- **Continuous-duty solenoid** – Provides instant unlocking action.
- **Finish** – Zinc plated case and cover.

## Optional Features

- **Optional solenoid voltage** – 230 VAC, 60Hz.
- **Indication/auxiliary switches** – An indication switch monitors the deadlock lever indicating a deadlocked latchbolt.

For more information, please call 210.533.1231.



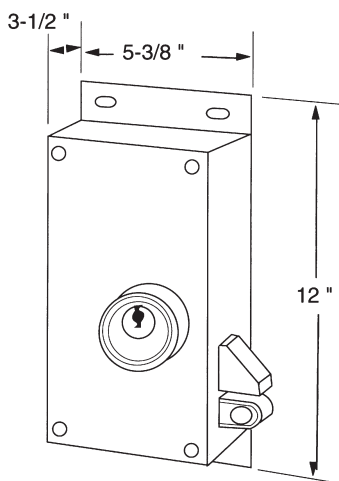
# 120RUP DEADLATCH

- **Key cylinder extension** – When the lock is keyed on the stop side of the jamb, an extension eliminates the need for a special, recessed frame pocket. Specify E-3 for 3", E-4 for 4" or E-5 for 5" extensions.

## Dimensional Data

Note: Dimensions are for information and planning purposes only, and should not be used as templates.

For complete details, see How to Specify in this section.



## Specifications

- **Case and cover** – 10 gauge steel.
- **Latchbolt** – Investment-cast stainless steel, hardened, 1" throw.
- **Deadlock lever** – Stainless steel, adjustable for door gap variations.
- **Roller bolt** – Investment-cast stainless steel with stainless steel roller.
- **Operating lever** – Stainless steel to operate with solenoid.
- **Solenoid** – 120 VAC continuous duty with stainless steel guides, 230VAC optional.
- **Springs** – Stainless steel.

## Electrical Characteristics

- **Solenoid voltage standard (120 VAC)** – 13 amps inrush - .75 amps seated.
- **Solenoid voltages optional (230 VAC)** – 6.6 amps inrush - .38 amps seated.
- **Switches** – SPDT, UL Listed, 15 amps @ 125 or 250 VAC.

