

1050

Minimum/Medium Security Automatic Deadlocking Latch with Electric Knob/Lever Control – Heavy Stainless Steel Construction – Hollow Metal Door Mortise Mounting

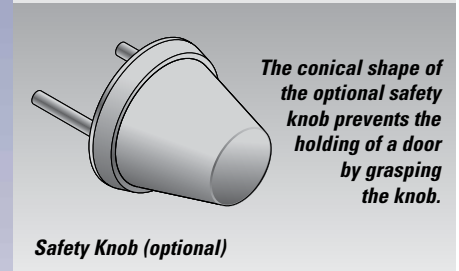
24VDC electric solenoid knob/lever control actuator – free spinning inactive knob – latch retraction by key and active knob/lever



1050 shown with Lever Eskort, and RRBS Mogul cylinder



Standard Knobs and high security mortise key cylinder



The conical shape of the optional safety knob prevents the holding of a door by grasping the knob.

Safety Knob (optional)



1050 with RRBS mogul cylinder



R.R. BRINK LOCKING SYSTEMS, INC.
500 Earl Road • Shorewood, IL 60404
Tel: 815-744-7000 • Fax: 815-744-7020
www.rrbrink.com

Application

The Model 1050 is a deadlocking latch that affords electric (solenoid actuated) remote control of the knob/lever trim set. It is appropriate for supervised minimum/medium security areas in detention facilities such as passage and office doors. RRBS does not recommend the 1050 for inmate cell doors.

One knob/lever can be electrically locked and unlocked with the opposite either always active or inactive. Also, both knobs/levers can be electrically locked and unlocked simultaneously. *(See Lock Function section on the reverse of this page.)* An internal limit switch is standard to signal at the remote control panel the dead-locked or unlocked status of the latch.

An inactive knob spins freely to prevent forcing. The optional Lever Eskort can be substituted for the standard knobs.

The 1050 is available in one mode—Fail Secure (FSE). With the FSE mode, the controlled knob or lever is locked without power and unlocked with power and, thus, would revert to the locked condition in the event of a power failure. The latch can always be retracted by key.

Since the 1050 is door mounted, a through wire electric transfer hinge or other flexible power connection is required between the door frame and the door.

1050

Standard Features

- Lock case, armor front, springs, and working parts are made of stainless steel.
- Solid brass knob trim cannot be removed when the door is in the closed and locked position – all mounting screws are concealed. A locked or inactive knob spins freely to prevent forced breakage of the lock works.
- Stainless steel rotary movement latch with a full 3/4" throw.
- Stainless steel strike plate – synthetic coated for reduced friction.
- Working parts made of copper alloy or stainless steel.
- Solenoid – constant duty tubular type – 24VDC, 0.33 amp.
- Lock Status Switch (LSS) – Integral limit switch to monitor latch status, (i.e. deadlocked or unlocked) by lights, alarms, and/or other door condition indicators. Commonly connected in combination

with a door position switch to give positive indication that a door is in both the closed and locked position.

- **Indication Module** (specify IM) – For fail secure mode only, plug-in relay module that serves to signal when an electrically controlled knob/lever is unlocked (e.g. via a red control panel pilot light that also indicates an unlocked latch via the standard lock status switch [LSS]). This feature provides an additional sensor to the LSS for monitoring the 1050FSE's locked/unlocked status.
- Fitted for mechanical operation via either RRBLS proprietary "Mogul" or commercial key cylinder. (Factory supplied key cylinder optional.)
- Exposed fasteners – pinned "Torx" head.
- Exposed Faceplate Finish
Satin Stainless Steel – (ANSI 630, US32D)
- Trim Finish
Satin Chrome on Brass (ANSI 626, US26D)

Optional Features

- **Factory Key Cylinder** (specify FKC and all keying information) – High security mortise type with finish matching lock face plate.
- **Mogul Cylinder** (specify MOG and all keying information) – RRBLS six pin mogul cylinder.
- **Lever Eskort** (specify LE) – Enables the designer/specifier to satisfy Americans with Disabilities Act (ADA) accessibility requirements and impede intentional, forced lever breakage.
- **Rectifier** (specify RC) – Attached to 24VDC solenoid lead wires to permit use of 24VAC from transformer.
- **Safety Knob** (specify SK) – Solid brass, conical shaped knob serves to limit handgrip to prevent holding a door closed. Specifically designed for jail/prison sleeping room doors.

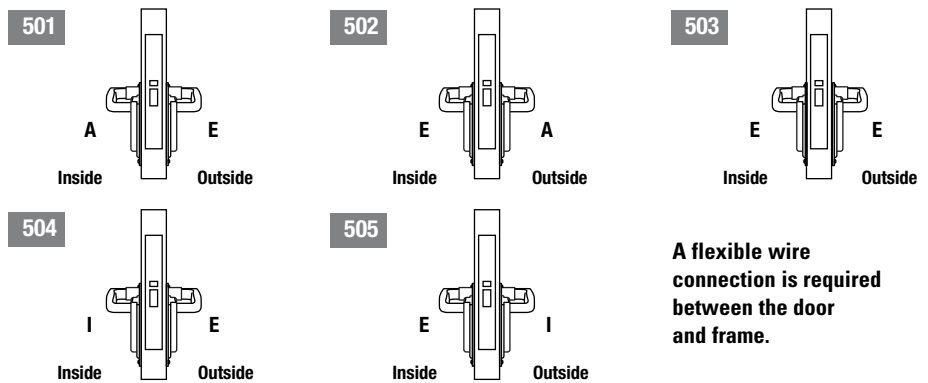
Lock Functions

- A** Active Knob/Lever – always operates the latchbolt
- I** Inactive Knob/Lever – functions as a door pull only – free spinning
- E** Electrically Controlled Knob

Latch retraction by key can be one or both sides.

To specify the lock function, determine the following :

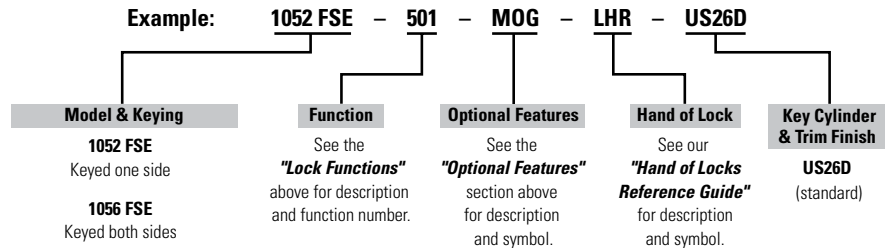
- (1) The "inside" and "outside" of the opening.
- (2) The desired knob functions for the "inside" and "outside" and choose the corresponding lock function number (e.g. 1050-503).
- (3) The hand of the lock (refer to "Hand of Locks Reference Guide" for explanation of lock handing).



A flexible wire connection is required between the door and frame.

Ordering Information

Model	Description
1052 FSE	1050 keyed one side – Fail Secure
1056 FSE	1050 keyed both sides – Fail Secure

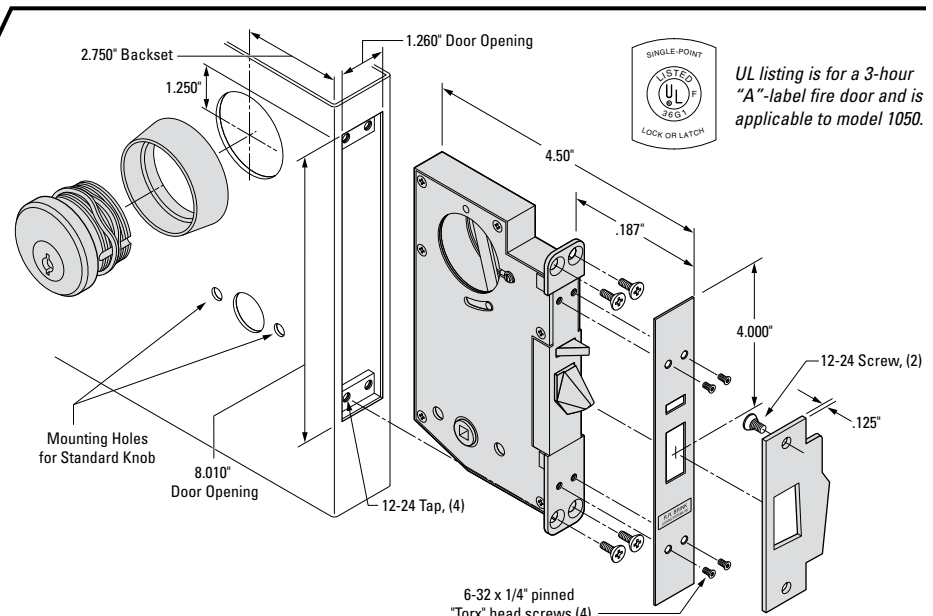


Keying Information

One key cylinder only required when specifying 501 or 502 lock functions. Fail secure mode locks with functions 503, 504 and 505 should be keyed on one or two sides so as to meet life safety requirements in the event of power failure.

Installation – 1050

Note: This illustration is for information only. Do not use for construction. Door and frame preparation drawings and wiring schematics are available from the factory.



R.R. BRINK LOCKING SYSTEMS, INC.

500 Earl Road • Shorewood, IL 60404
 Tel: 815-744-7000 • Fax: 815-744-7020
 www.rrbrink.com