

DOOR MOUNTED FOR SWINGING DOORS

Maximum security.

10380A CREMONE BOLT SET WITH DEADLOCK

10380AA-1: ACTIVE-KEYED
ONE SIDE

10380AA-2: ACTIVE-KEYED
BOTH SIDES

10380AI-1: INACTIVE-KEYED
ONE SIDE

10380AI-2: INACTIVE-KEYED
BOTH SIDES

APPLICATION:

For single swinging doors or swinging pair of doors in high security areas where slamlocking is not required.

FUNCTION:

Key activated locking and unlocking. Doors secured at top and bottom by head and foot rods and in the center by deadlock. Lever handle operates head and foot rods except when in deadlock. Foot rod receptacle is available.



DOOR MOUNTED FOR SWINGING DOORS

Maximum security.

STANDARD FEATURES:

- Manual deadlock
- Six heavy-duty tumblers
- Three-point locking
- Lever handles
- Mounting fasteners
- Head and foot rods
- Rods manufactured for standard 7'0" door height. For doors less than 7'0", field cut rods to suit. For doors over 7'0", contact Customer Service.
- 10105R Floor receptacle
See page F16 for 10105 and 10105R

HOW TO ORDER:

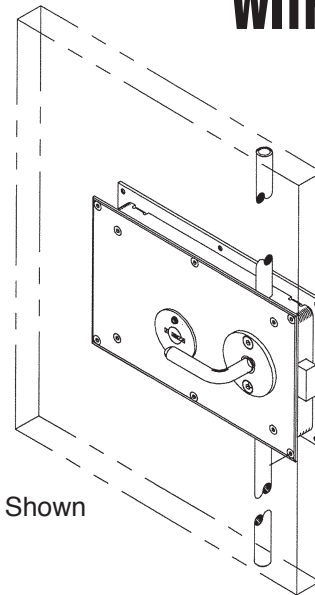
Specify:

1. Quantity
2. Swing chart number (handing)
3. Key code instructions
4. 1-3/4" or 2" door.

OPTIONAL FEATURES FOR PAIR OF DOORS:

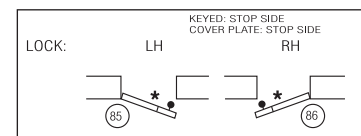
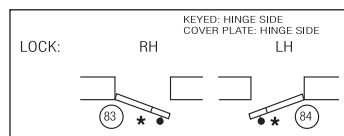
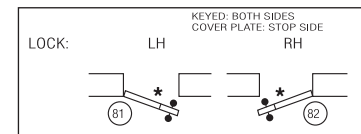
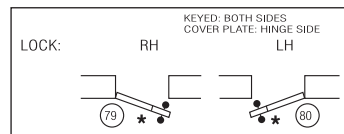
10105 HEAD OR FOOT BOLT

10380A CREMONE BOLT SET WITH DEADLOCK



HM Mounting Shown

Swing Chart: Specify circled swing number when ordering.



* Indicates lock mounting/access plate side.

TECHNICAL DATA:

- **STANDARD FINISH:**
Galvanized (Lever is US26)
- **LOCKBOLT:** Cold-rolled steel with hardened steel insert pins
- **PARACENTRIC CYLINDER:** Silicon bronze/copper alloy
- **TUMBLERS:** Spring tempered brass. Tumblers actuated by phosphor bronze springs, six tumblers per lock.
- **LOCK SIZE:**
15-5/16" L x 9-1/2" H x 2-1/8" TK
- **LOCK WEIGHT:** 55 lbs.
- **LOCKBOLT SIZE:**
2" x 3/4"
- **LOCKBOLT THROW:** 3/4"

