

## DOOR MOUNTED FOR SMALL SWINGING DOORS

Medium and maximum security.

# 1010AM DEADLOCK

1010AM-1: KEYED ONE SIDE  
1010AM-2: KEYED BOTH SIDE

### APPLICATION:

For small swinging doors on access panels, plumbing chases, control cabinets, etc.

### FUNCTION:

Mogul key activated locking and unlocking.



## DOOR MOUNTED FOR SMALL SWINGING DOORS

Medium and maximum security.

### STANDARD FEATURES:

- Mechanical deadlock
- 6 pin tumblers
- Mounting fasteners

### OPTIONAL FEATURES:

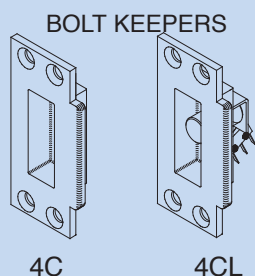
**EXTENDED BOLT** - Used for stop side mounting. Specify "1-1/4".

**HOLLOW METAL MOUNTING** - Used for hollow metal door application. Specify "HM." (See page G17)

MASTER KEYING AVAILABLE.

**BOLT KEEPER OPTIONS** - (Must be specified separately):  
4C - Bolt keeper with dustbox  
4CL - Bolt keeper with switch

**NOTE:** All bolt keepers are supplied with security fasteners.

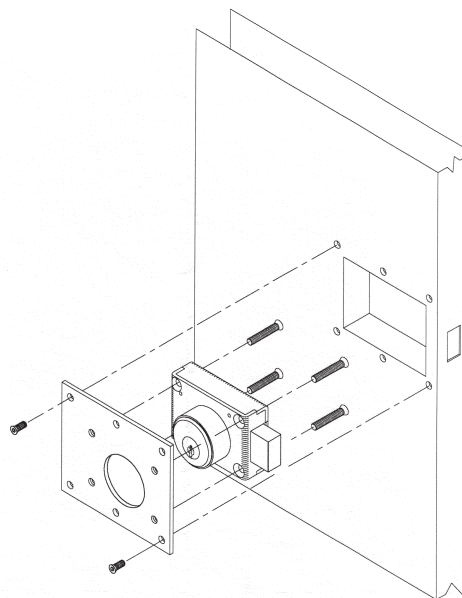


### HOW TO ORDER:

Specify:

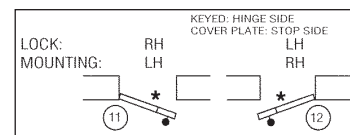
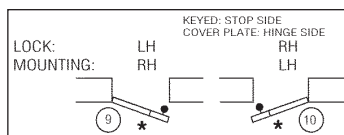
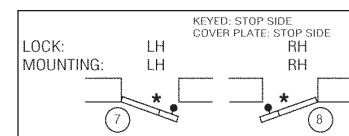
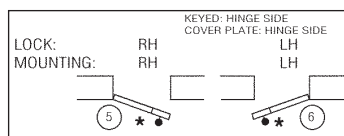
1. Quantity
2. Swing chart number (handing)
3. Bolt projection
4. Application (HM or surface)
5. Key code instruction
6. Bolt keeper requirements

## 1010AM DEADLOCK



HM Mounting Shown

**Swing Chart:** Specify circled swing number when ordering.



\* Indicates lock mounting/access plate side.

### TECHNICAL DATA:

- **STANDARD FINISH:**  
Galvanized
- **COVER:** Steel
- **CASE:** Steel
- **LOCKBOLT:** Stainless Steel
- **MOGUL CYLINDER:**  
US26D
- **MOGUL KEYS:**  
Nickel Silver
- **PIN TUMBLERS AND ENGAGING BALLS:**  
Combination nickel silver and stainless steel, 6 tumblers per lock.
- **LOCK CASE SIZE:**  
4.4" L x 3.15" H x 1.35" TK
- **LOCK WEIGHT:** 5.5 lbs.
- **LOCKBOLT SIZE:**  
1-1/2" H x 3/4" TK
- **LOCKBOLT THROW:** 5/8"

