



Detention Equipment Company

4634 S. Presa Street  
San Antonio TX 78223-1000  
210-533-1231 Phone • 210-533-2211 Fax

**PRODUCT BULLETIN:** 12-015  
**SUBJECT:** Folger Adam 51M Deadlatch  
**DATE:** November 8, 2012

---

Correction to Folger Adam Catalog Page A8:

The Folger Adam 51M Deadlatch does not have an option for an Interlock Switch, as noted on Catalog Page A8. The Interlocking is accomplished through the control console.

Attached is an updated catalog page.

SOUTHERN FOLGER DETENTION EQUIPMENT COMPANY  
Kathee Forrest  
Product Manager  
210-531-2701  
[kforrest@southernfolger.com](mailto:kforrest@southernfolger.com)



**Key:** Prison Paracentric  
**Door:** Swinging  
**Security Level:** Maximum

# 51M DEADLATCH

## Description

Series 51M Deadlatches are lever tumbler, motor operated locks for swinging doors. Specify keying as follows:

- 52M Five tumbler model, keyed cover side
- 52M-6 Six tumbler model, keyed cover side
- 56M Five tumbler model, keyed both sides
- 56M-6 Six tumbler model, keyed both sides

## Applications

These jamb-mounted locks provide maximum security for cell, corridor or entryway doors. They slam lock on closure and provide staff with the safety and convenience of remote, electric unlocking. Quiet motor operation is well suited to residence areas.

## Operations

When used in conjunction with a momentary contact switch, the unit unlocks when energized. The latchbolt retracts, and once retracted, it is held mechanically retracted until the door is opened. The latchbolt extends when the door is open.

## Standards Compliance

51M Series Deadlatches are UL Listed as Burglary-Resistant Mechanisms and as Fire Door Accessories to a three-hour rating. UL Fire Door rating is not available with Model 51MC.

ASTM F 1577 Grade 1 - Impact



## Standard Features

- **Motor voltage** – 120VAC
- **Two piece plug connector** – Simplifies wiring.
- **Quiet operation** – Unlocks by smooth motor action.
- **Automatic deadlocking** – All models automatically deadlock on closure.
- **Rugged construction** – 7 gauge steel for durability.
- **Indication switch** – A lock status indication switch which monitors the extension of the latch bolt and the dead locked condition is included.
- **High security** – Five or six tumbler models available. Six tumbler model offers greater pick resistance.
- **Mechanical unlocking by key** – In the event of power failure, or at any time, 51M Series deadlatches may be unlocked by prison paracentric key; latchbolt remains retracted until relocked by key.
- **Solid steel latchbolt** – Zinc plated, with two hardened steel pins to resist sawing.
- **Deadlock actuator** – Roller type, zinc plated steel, adjustable for variations in door-to-jamb clearance.
- **Full 3/4" bolt throw** – Projects 1/4" when retracted.
- **Finish** – Zinc plated.

For more information, please call 210.533.1231.

**Key:** Prison Paracentric  
**Door:** Swinging  
**Security Level:** Maximum

# 51M DEADLATCH

## Optional Features

- **Motor voltage** – 24VDC
- **Continuous-duty function** – Using a two-position, maintained contact switch, and a two-position cam on the motor, the latchbolt may be held retracted for extended periods. The latchbolt extends only when the door is open and the motor is energized a second time. The latchbolt deadlocks when extended and the door is closed.
- **No-notch feature** – The holdback lever has no notch to hold the latchbolt mechanically retracted. This feature may be used with Continuous Duty feature, and operates in the same manner as above, except that the latchbolt extends when the motor is energized a second time regardless of the position of the door.
- **Interlocking** – Accomplished through the control console.

## Specifications

- **Case and cover** – 7 gauge steel.
- **Latchbolt** – Solid steel with hardened steel roller pins.
- **Deadlock actuator** – Zinc plated steel, roller-type.
- **Lever tumblers** – Spring-temper brass, activated by heavy phosphor-bronze springs.
- **Key cylinder** – One piece, bronze alloy with paracentric keyway.
- **Bolt size** – 2" x 3/4"
- **Bolt throw** – 3/4"

## Electrical Characteristics

- **Motor (AC)** – Synchronous-type with brake.
- **Ratings (120VAC)** – 60HZ, 1.3 amps full load.
- ~~Ratings (220VAC) – 60HZ, .65 amps full load.~~
- **Motor (DC)** – Permanent magnet gearmotor.
- **Ratings** – 24VDC, 2.2 amps at full load.
- **Indication switch** – SPDT, UL Listed, 15 amps at 125VAC or 250VAC.

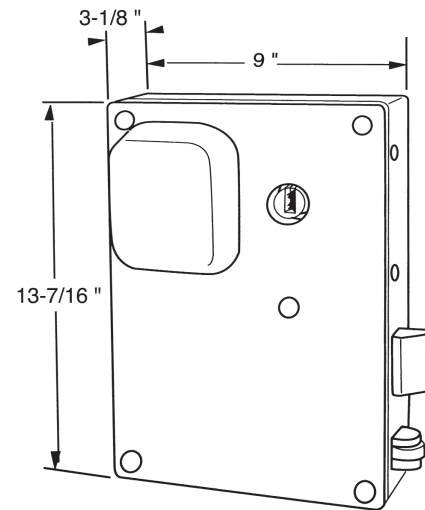
## How to Specify

OPERATION	KEYING	W/INDICATION SWITCHES	W/INDICATION & INT. SWITCHES
Standard	one side	52MI	52MI I
	two sides	56MI	56MI I
Continuous Duty	one side	52MCI	N/A
	two sides	56MCI	N/A
With No-notch	one side	52MCLNN	N/A
	two sides	56MCLNN	N/A

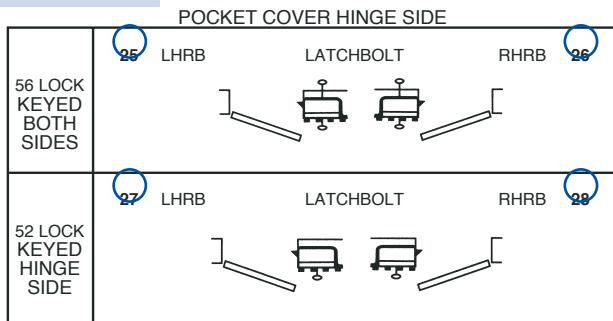
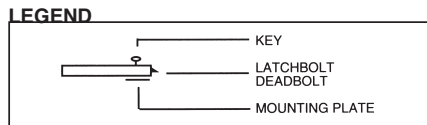
NOTE: The above are standard 5-tumbler models. To specify 6-tumbler units, add -6 after the basic model number. Example: 52M-6-L

## Dimensional Data

Note: Dimensions are for information and planning purposes only, and should not be used as templates.



Specify circled swing number when ordering.



P.O. Box 2021, San Antonio, TX 78297 ■ Ph: 210.533.1231 ■ Fx: 210.533.2211  
 Web: [www.SouthernFolger.com](http://www.SouthernFolger.com) ■ Email: [info@southernfolger.com](mailto:info@southernfolger.com)