

JAMB MOUNTED FOR SWINGING DOORS

Minimum and medium security.

10195R-1: KEYED ONE SIDE
10195R-2: KEYED TWO SIDES

APPLICATION:

Direct replacement for Southern Steel 10195 series locks.

Minimum and medium security swinging doors that are to be unlocked from a remote location. Jamb mounted.

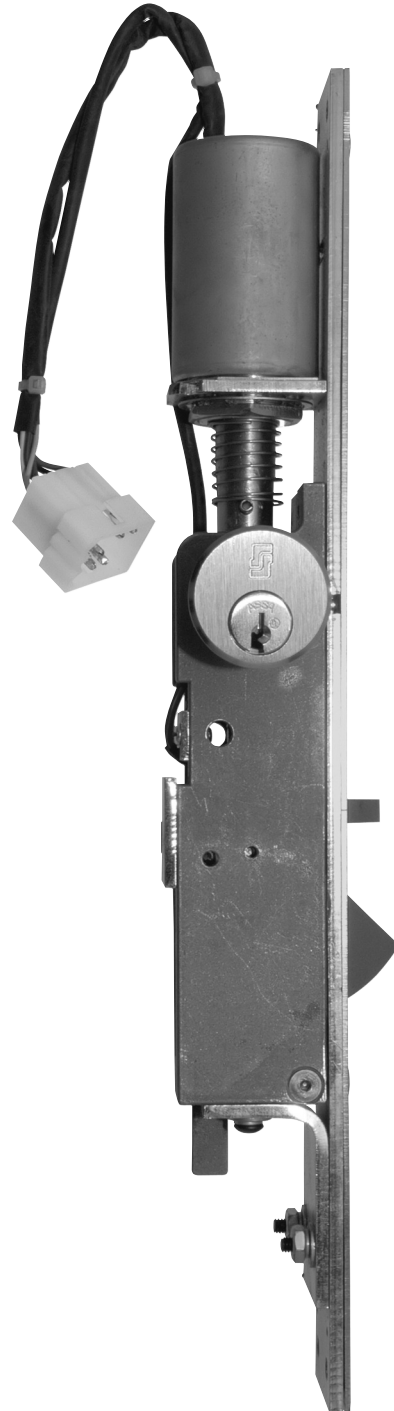
Door position indicator switch, door closer and heavy duty door pull are recommended.

FUNCTION:

ELECTRIC - Remote switch activates a solenoid which retracts the latchbolt. Latchbolt remains retracted approximately 2 seconds, then it releases, automatically latches and deadlocks when the door is closed.

MECHANICAL - Latchbolt is retracted with a builder's hardware key at the door, and remains retracted while key is held in retracted position. When latchbolt is no longer held by key, the lock latches and deadlocks when the door is closed.

SOUTHERN STEEL 10195R SOLENOID OPERATED ELECTRO-MECHANICAL DEADLATCH REPLACEMENT



JAMB MOUNTED FOR SWINGING DOORS

Minimum and medium security.

STANDARD FEATURES:

- Deadlock indication switch
- 2 second electrical holdback
- Strike with security fasteners
- Faceplate with security fasteners
- Plug connector
- High power, dual coil solenoid with overload protection. Intermittent coil is protected by module. Second coil is continuous duty.
- Fail secure
- Mounting fasteners

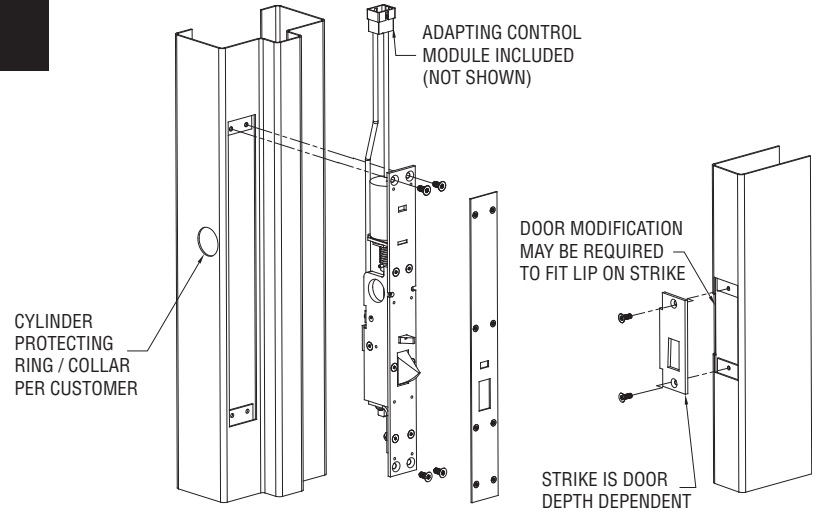
OPTIONAL FEATURES:

FOR ORDERING NEW BUILDER'S HARDWARE CYLINDERS - Specify:

- "10195R-1" keyed one side.
- "10195R-2" keyed both sides.

KEY CYLINDER EXTENDER - Special order - priced on request.

10195R SOLENOID OPERATED ELECTRO-MECHANICAL DEADLATCH REPLACEMENT

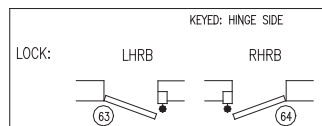
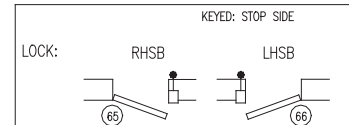
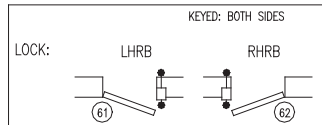


Strike is supplied with lip. Modifications for clearance may be required.

Frame Preparation

NOTE: Drawing for illustration only. Reference template for specific information.

Swing Chart: Specify circled swing number when ordering.



TECHNICAL DATA:

- STANDARD FINISH: US32D
- LOCK BODY: Stainless steel
- FACE PLATE: Stainless steel
- LATCHBOLT: Stainless steel
- DEADLOCK ACTUATOR: Stainless steel
- ELECTRICAL: 24 VDC, 3.6 amp inrush, .32 amp seated*
- LOCK SIZE: 13-3/8" H x 1-1/2" W x 1-13/16" D
- LOCK WEIGHT: 4.1 lbs.
- LATCHBOLT SIZE: 1-5/8" H x 5/8" TK
- LATCHBOLT THROW: 3/4"
- BUILDER'S CYLINDER: 1-5/32" diameter with standard Yale cam or equal

TO ORDER:

- Provide door thickness of 1-3/4" or 2"
- Handing

*Minimum voltage 22VDC when unlock solenoid energized. Maximum voltage not greater than 28VDC at any point.

